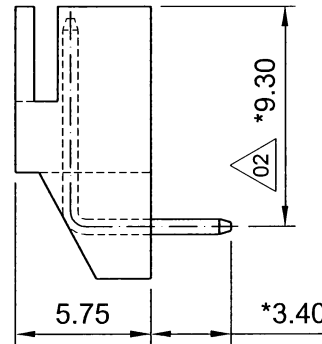
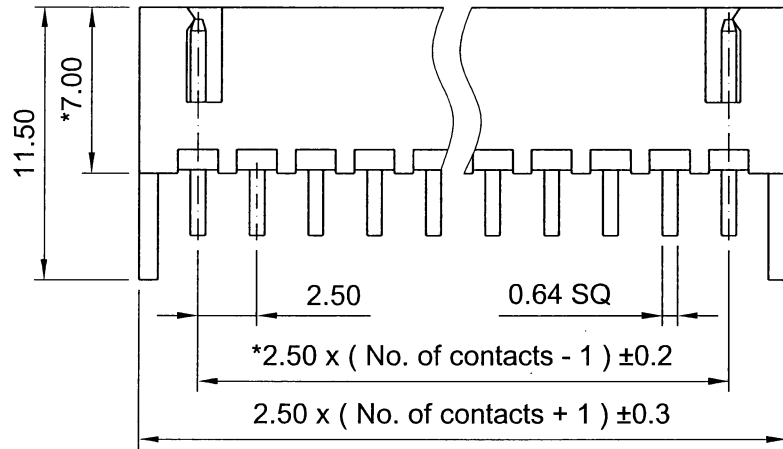
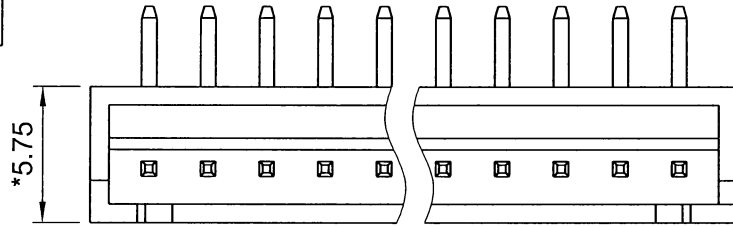


RoHS
Compliant

REV.	DESCRIPTION	DATE	APPR.
02	新增型態(TYPE 2)、修改尺寸(9.2→9.3)	2009/11/09	陳世官



Type 1

Specifications

Current & Voltage Rating : 3A & 250Vac max.
 Insulation Resistance : 1000 MΩ min.
 Contact Resistance : 10 mΩ max.
 Dielectric Withstanding : AC 500 V
 Operating Temperature : -25°C ~ +85°C
 Contact Material : Brass
 Insulator Material : Nylon 66, UL 94V-0
 Finish : Tin plated
 Packing : Bag

250B-WR-xxTx

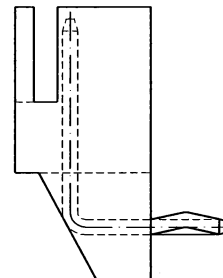
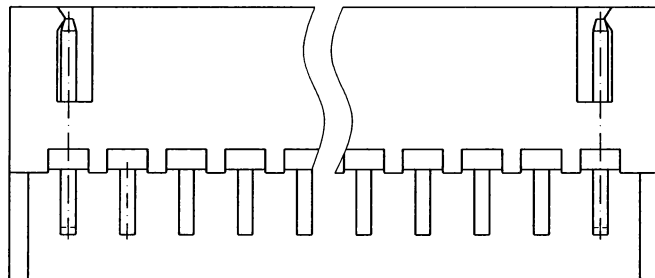
Type

Blank : Type 1 (standard)

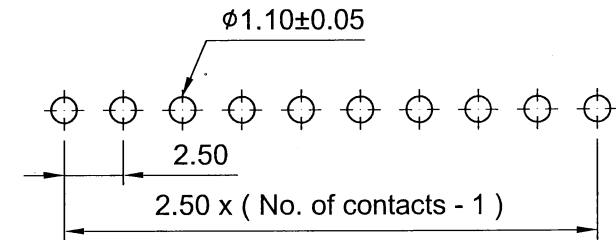
1 : Type 2



No. of contacts



Type 2



Recommended P.C.B. Layout

JAWS 兆旭股份有限公司
 JAWS CO., LTD.
 7F., No.31, Ln. 169, Kangning St., Xizhi Dist.,
 New Taipei City 221, Taiwan (R.O.C.)
 TEL:886-2-2692-2898
 FAX:886-2-2692-2618
 Http://www.jaws.com.tw



SIZE: A4

DESIGN UNITS
 ■ mm □ INCH

SCALE: FREE

TITLE: 2.50mm Wafer Side Entry

PARTS NO.: 250B-WR-xxTx

DWG NO.: JAWS-SOP-250B003

GENERAL TOLERANCES:

±0.30

DRAWN

游熾瑩

DATE

2011/11/08

CHECKED

Wang

DATE

2011/11/08

APPROVED

AS

DATE

2011/11/08

DAN NO.: S10011-017

REV. 02